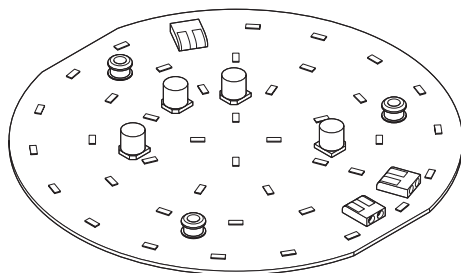


PrevaLED® Flat AC DA

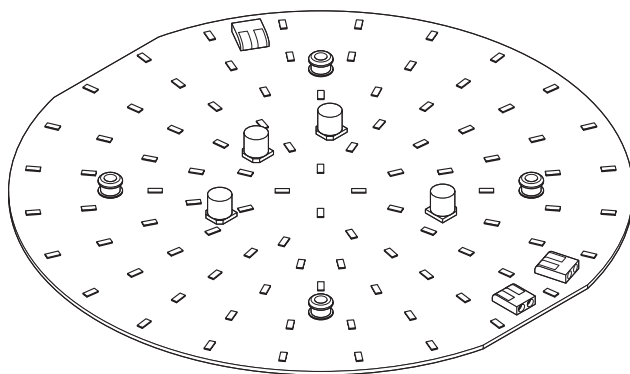
PL-FLAT-AC-DA-G2 1500-830 230V – EAN 4052899969698

PL-FLAT-AC-DA-G2 1500-840 230V – EAN 4052899969704

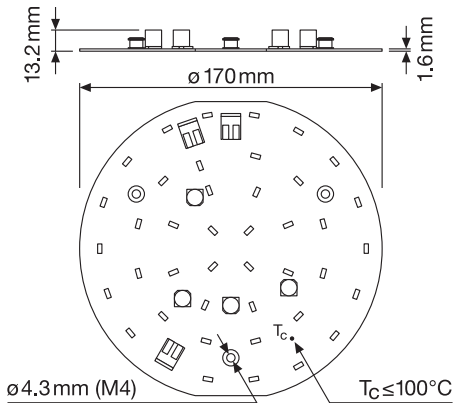
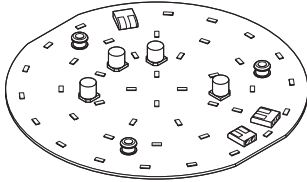


PL-FLAT-AC-DA-G2 2500-830 230V – EAN 4052899969711

PL-FLAT-AC-DA-G2 2500-840 230V – EAN 4052899969728

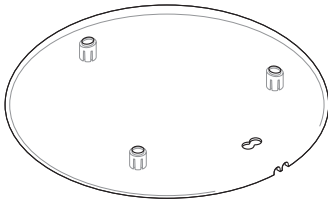


PL-FLAT-AC-DA-G2 1500-830 230V
PL-FLAT-AC-DA-G2 1500-840 230V

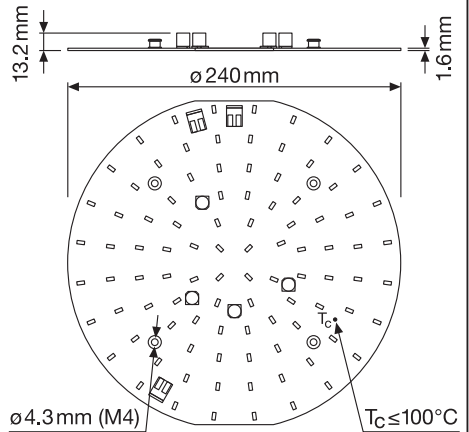
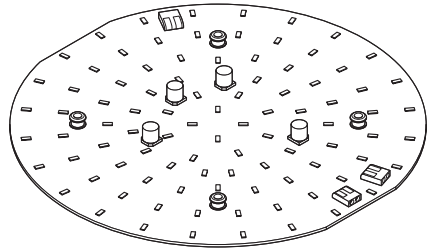


EAN 4052899969872

PL-FLTP 170 G2

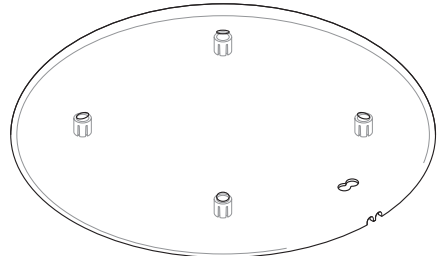


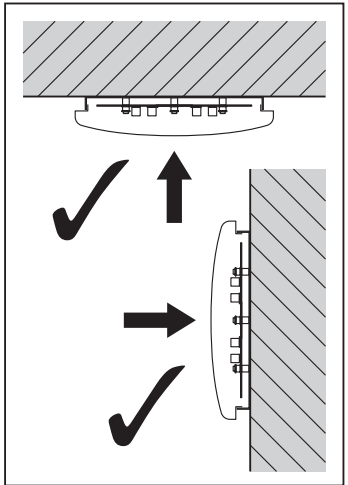
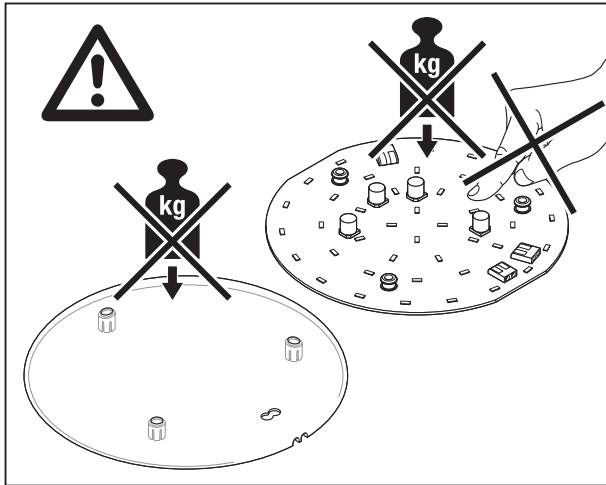
PL-FLAT-AC-DA-G2 2500-830 230V
PL-FLAT-AC-DA-G2 2500-840 230V



EAN 4052899969889

PL-FLTP 240 G2





PL-FLAT-AC-DA-G2 1500-830 230V
 PL-FLAT-AC-DA-G2 1500-840 230V

1

220-240V

3x

$1.0^{+0.5} \text{ Nm}$

2

DA —
 DA —
 6-8mm

L —
 N —
 6-8mm

PL-FLAT-AC-DA-G2 2500-830 230V
 PL-FLAT-AC-DA-G2 2500-840 230V

1

220-240V

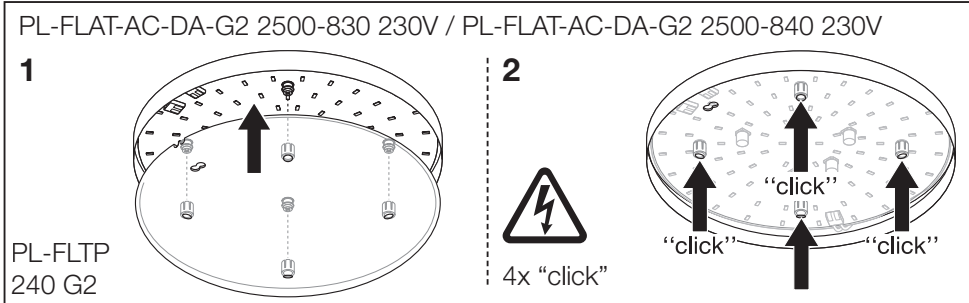
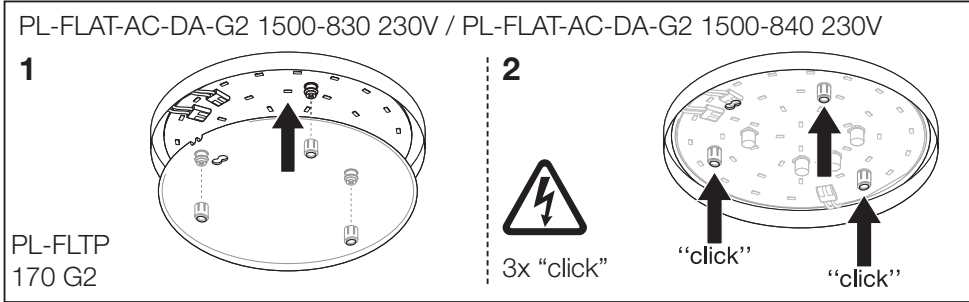
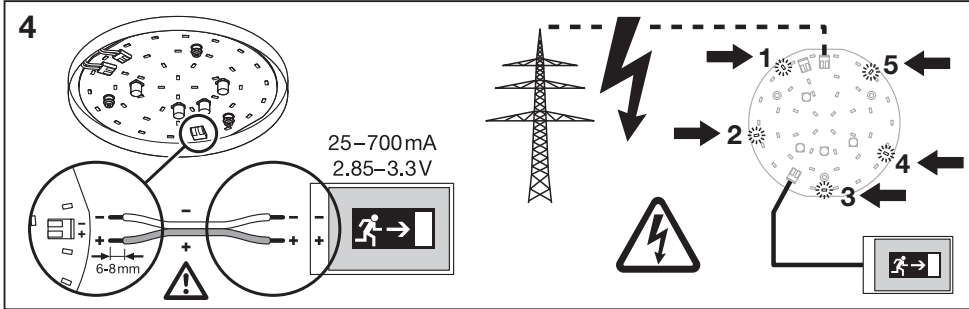
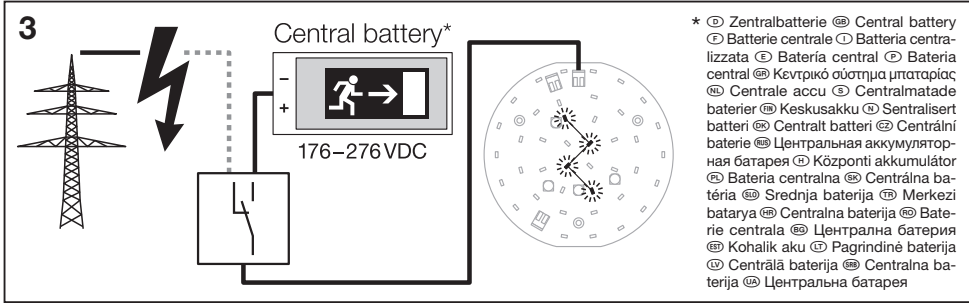
4x

$1.0^{+0.5} \text{ Nm}$

2

DA —
 DA —
 6-8mm

L —
 N —
 6-8mm



C10449057
G10592972
15.03.16

CE www.osram.com/prevald

OSRAM GmbH
Steinerne Furt 62
86167 Augsburg
Germany

220-240V~



www.osram.com