

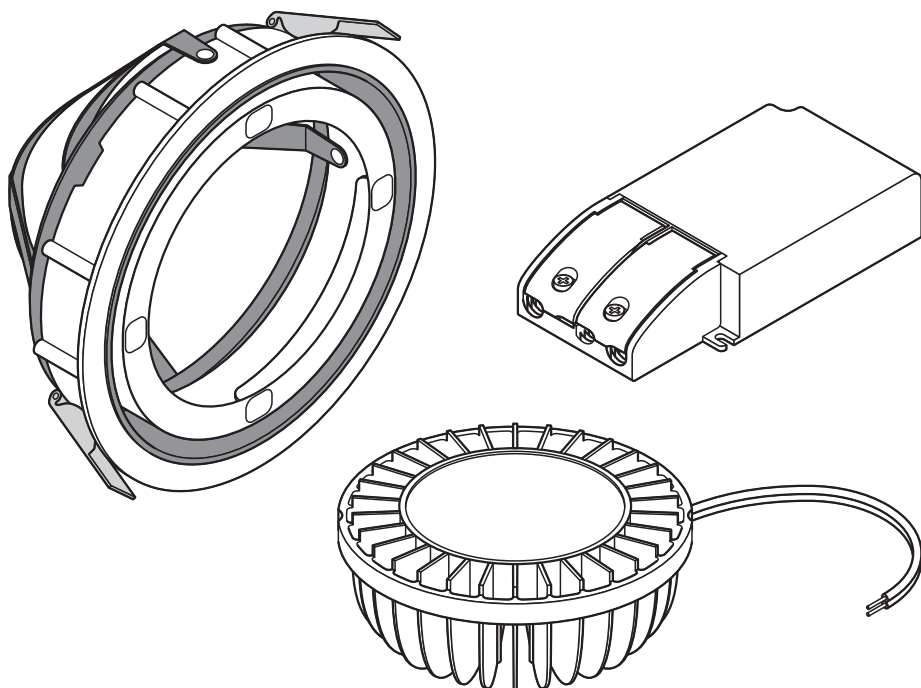
KIT PrevaLED® COIN 111

KIT-PL-CN111-2400-830-40D-G2 – EAN 4052899365131

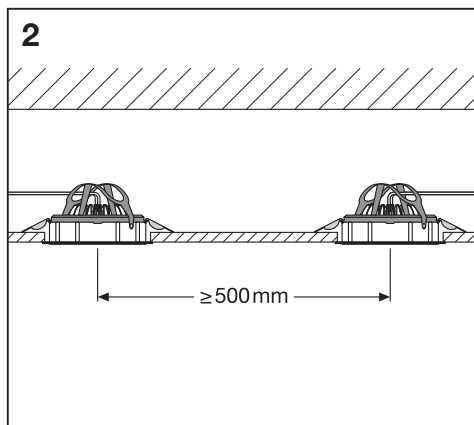
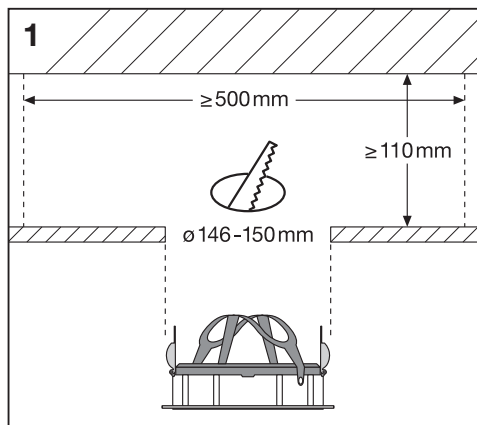
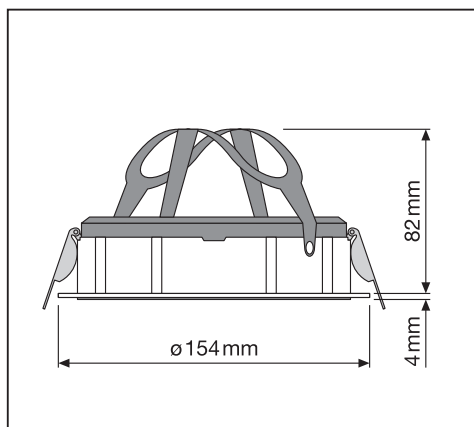
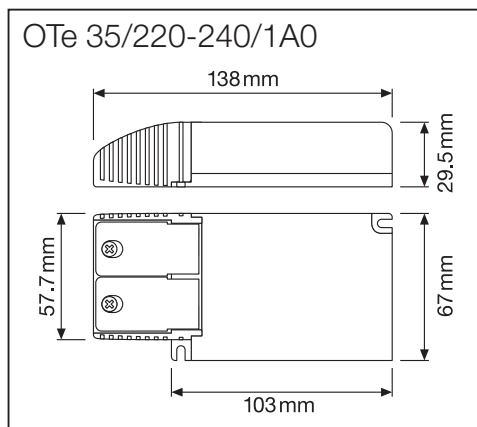
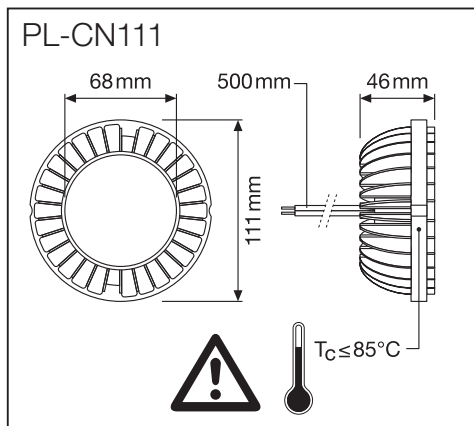
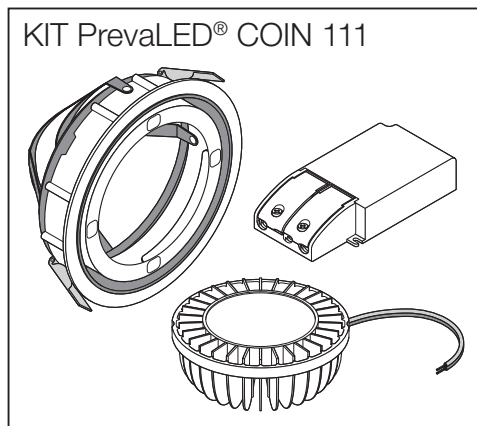
KIT-PL-CN111-3600-830-40D-G2 – EAN 4052899365155

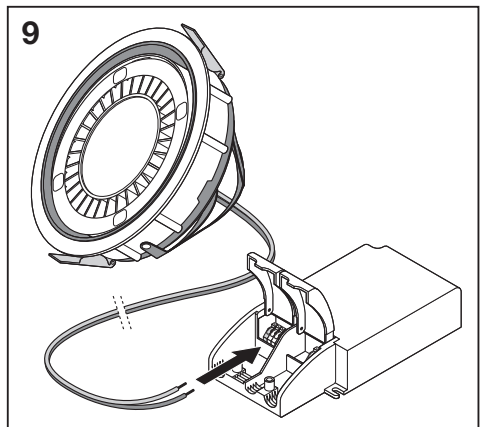
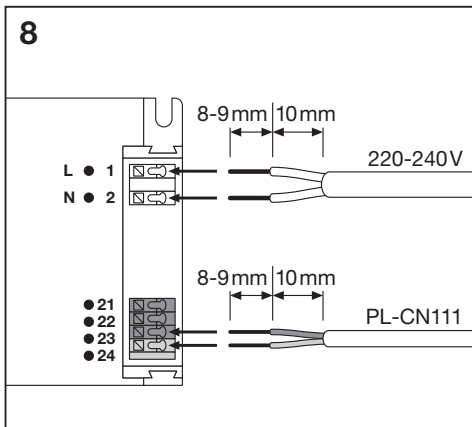
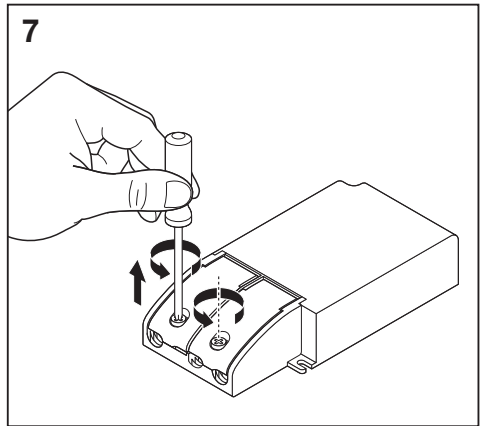
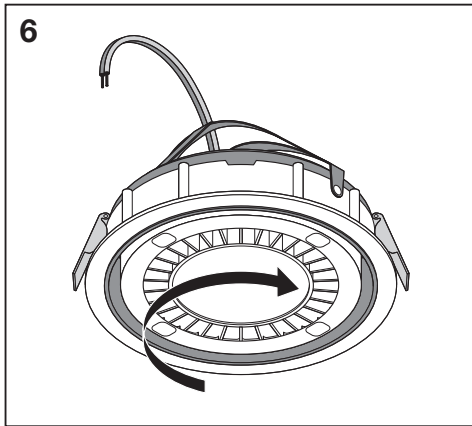
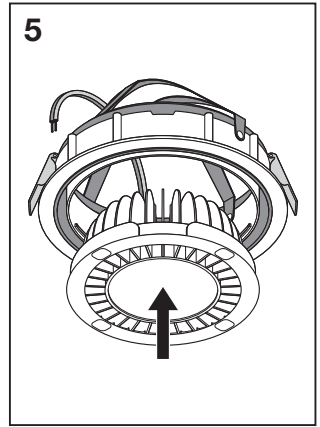
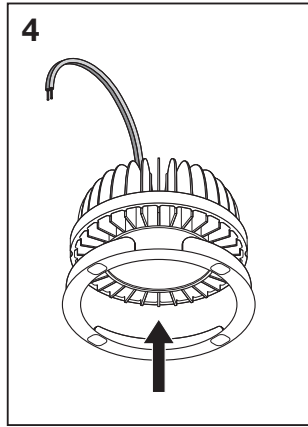
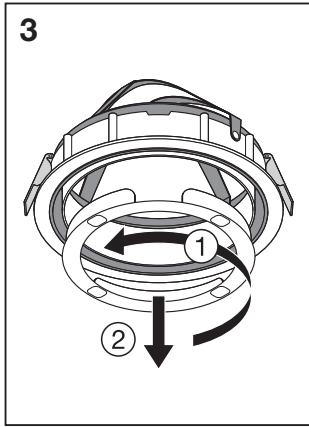
KIT-PL-CN111-3600-840-24D-G2 – EAN 4052899365179

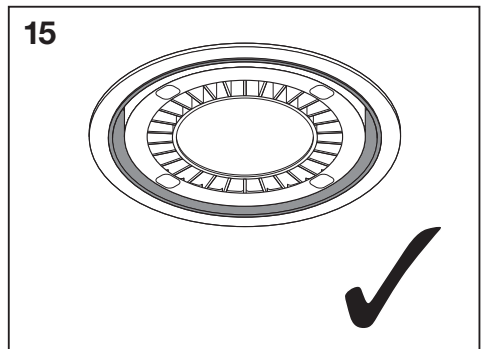
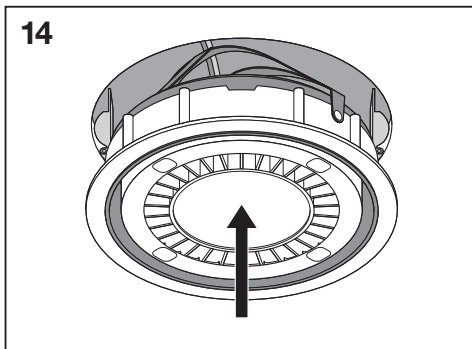
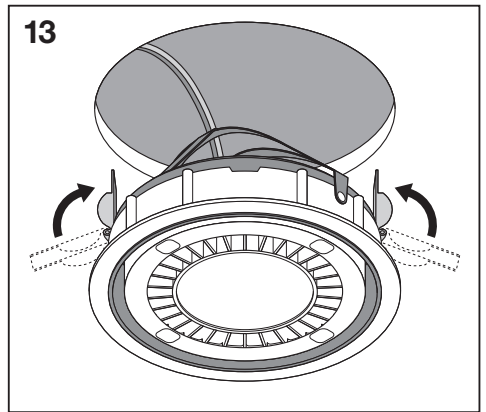
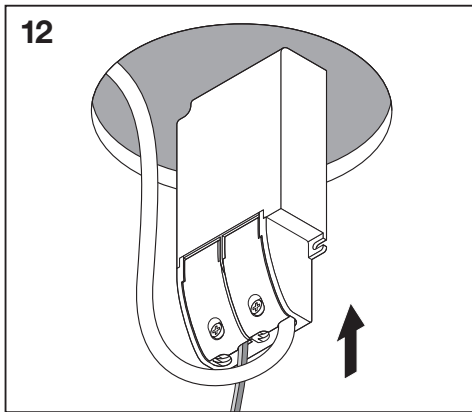
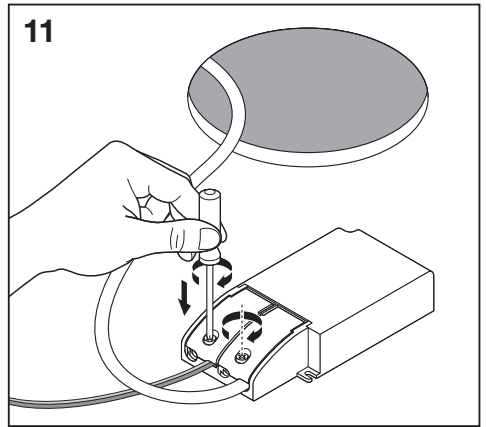
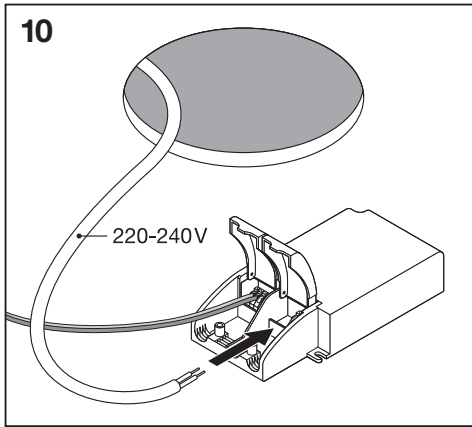
KIT-PL-CN111-3600-840-40D-G2 – EAN 4052899365193



KIT PrevaLED® COIN 111







 www.osram.com/prevalled

C10449057
G10599074
28.04.16

OSRAM GmbH
Steinerne Furt 62
86167 Augsburg, Germany
www.osram.com